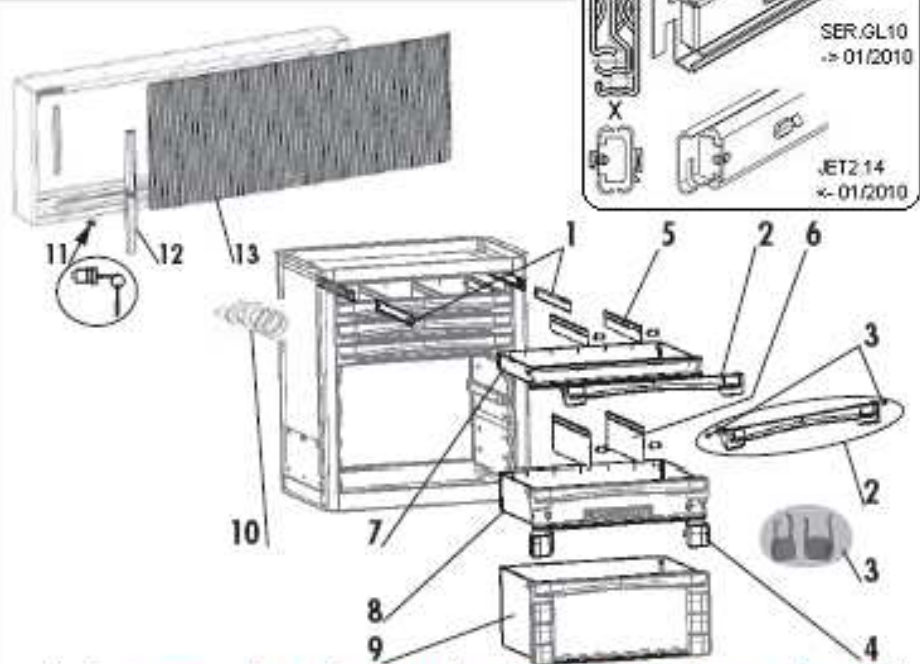
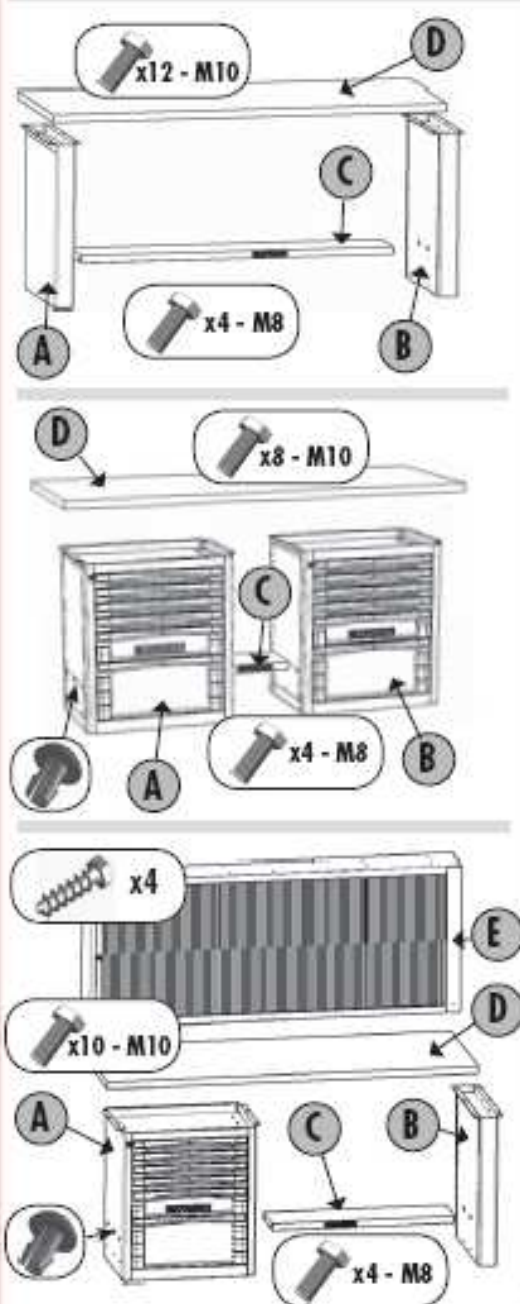


2000.AA1 - 2000.AB1 - 2000.BB1 - 2000.AB32 1500.AA1 - 1500.AB1



		2000.AA1	2000.AB1	2000.BB1	2000.AB32	1500.AA1	1500.AB1
1	JET2.14	-	6	12	6	-	6
	SER.GL10	-	6	12	6	-	6
2	JET2.03	-	6	12	6	-	6
3	JET2.18	-	6	12	6	-	6
4	JET2.04	-	4	8	4	-	4
5	JET2.15 (2)	-	3	6	3	-	3
6	JET2.16 (2)	-	1	2	1	-	1
7 X	JET2.09G5	-	4	8	4	-	4
7 Y	JET2.09G5 A	-	4	8	4	-	4
8 X	JET2.10G5	-	1	2	1	-	1
8 Y	JET2.10G5 A	-	1	2	1	-	1
9 X	JET2.12G5	-	1	2	1	-	1
9 Y	JET2.12G5 A	-	1	2	1	-	1
10	2840.17	-	1	2	1	-	1
11	2205.06	-	-	-	1	-	-
12	2205.05	-	-	-	1	-	-
13	2210.04	-	-	-	1	-	-