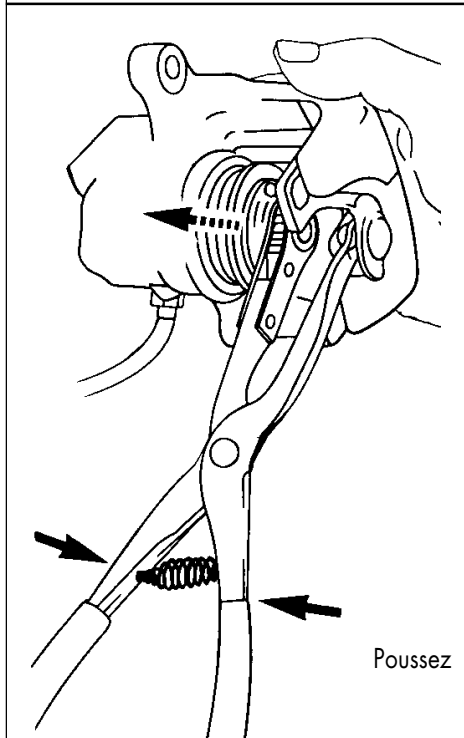
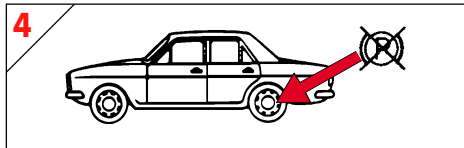
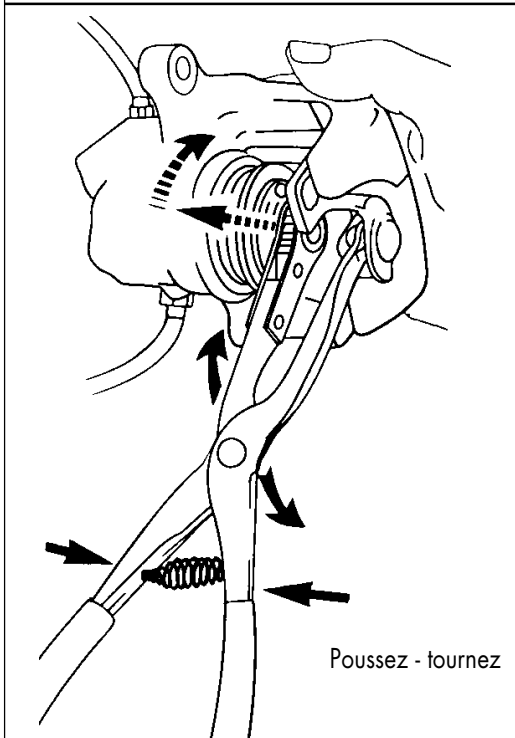
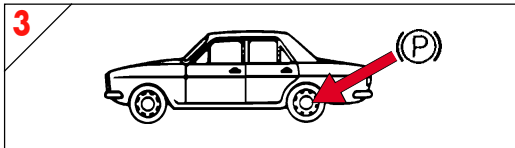
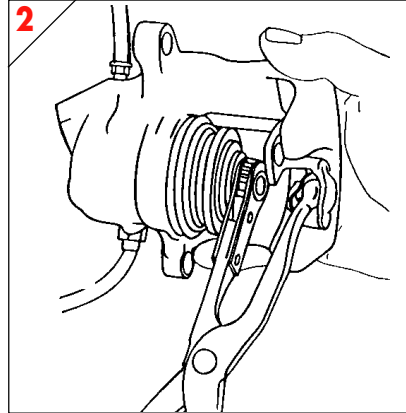
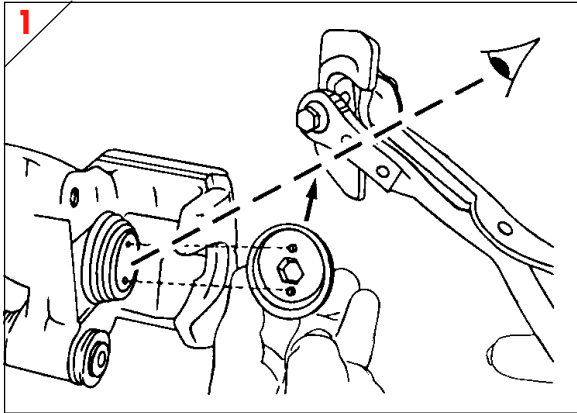


DF.6



NU-DF.6/1201



DF.6

		DF.6-2	DF.6-3	DF.6-4	DF.6-5	DF.6-10	
Alfa Romeo	164 1.8 → 88 → 91 155 1,8 - 2,0L - 164 TD (93) - 164 3,0 V6 (91) 33.16v (93) - 146 1,7L 16v	◆		◆			
Audi	80 - 100 (9cv) 80 2,8E - 80 TDi (93) - 90 2,3E - 100 TDi - 2,3E - A3 - A4 - A6 100 TDi (91)	◆		◆			
BMW	740 i 8 cyl (95)				◆		
Citroën	Xantia 1,8 i - 1,9D & TD - 2,0 i & 2,0.16S (93 & 94) Activa XM - XM Turbo CT 2,0 ZX 2,0 i 16v					◆	
Fiat	Uno Turbo iE - Barchetta - Bravo 2.0 20v Tipo 1,8 E - 1,9 TD & TD ABS - 2,0 iE - 2,0 16v - 2,0 Ei 16v - Marea TD Croma TD		◆				
Ford	Escort 2000 RS 16v - Mondeo V6 24v Scorpio 2.0 16v - 2.5 TD (95) Scorpio 2,0GL - Ghia 4x4 - Turbo 2,5		◆				
Honda	Civic VTi - CRX - Accord EXi Concerto SXi & 1,6 Accord 4WS - 2,0 i(93) - 2,2 4W(93) - 2,2 Aerodec(93) Prelude 4WSi - 2,2 Prelude 2,0 i & 2,3 i Legend V6		◆				◆
Hyundai	Coupé 2.0				◆		
Lancia	Dedra - 2,0 Ei Tur(93) Delta 1,6 GTic (92) - 1,8 (94) - Thema iE 16v (92) Delta 1,9TD (95) Thema 2000 Turbo - 2,0iE - Ei Turbo - 2,8V6 - Kappa 2,0 - 2,4LS - 2,4TD	◆					
Nissan	100 NX 2,0 (93) - Primera 2,0 GT (94) - 200SX turbo 16v - Maxima 2,0GX - 3,0GX(95)						
Peugeot	405 Mi16 - STi 2,0 - SR 4x4 - GRD J5 - J9 309 GTi 16S (91)						◆
Proton	416				◆		
Renault	Clio 1,8 RSi(93) R21 GTX-TXE-TXi-TXi quadra-Baccara-Turbo-Turbo DX(ABS) Laguna 2,0 ABS (94) & 2,2D (95) Laguna 2,0/R21Turbo Safrane 2,0 - 2,2 - TD - V6 - Espace V6 Safrane (92) 2,0 - 2,2 - V6 R - V6 Quadra				◆		
Rover	216 GTi 16V - 820 Si 2,0(93) - 825 SD 2,5 (93) 220 C turbo (95) 623 Si		◆				◆
Saab	9000 CS 2,0 (93) - 9000 CSE Turbo (93)				◆		
Seat	Toledo GT 16v - GT 2,0 (93) - Ibiza 1,8GTi 16v (95)				◆		
Volkswagen	Golf - Jetta Golf GTi type 3 (92) Passat CL - 2,0 - VR6 Passat VR6 (92) Vento GT - Sharan 2.0 - 1,9TD Vento GT (92)	◆					
Volvo	S.40 1,8 - 2,0 (16v)				◆		

